

INDUSTRIAL IP-STREAMING MONITOR GIM-070-I-1



MONITORS

The increasing processing power of modern embedded systems allows for designing a powerful internet ready control panel with touch screen to be embedded in various devices. It can be used to build modern human machine interfaces, e.g. programmed in HTML5. It's Linux operating system provides drivers and APIs for lots of different applications. Together with a rich list of available interfaces like wireless and wired Ethernet, USB2.0, SATA, HDMI and several serial protocols GIM-070-I-1 is the right choice for building next generation intelligent display solutions

PRODUCT FEATURES

Processor System

- Cortex A8 processor, 1GHz
- 3D GPU
- 512MB DDR3 DRAM, 8GB eMMC flash
- USB2.0 host/device/OTG
- MicroSD card, Gigabit-Ethernet IEEE.802.3z

TFT Display

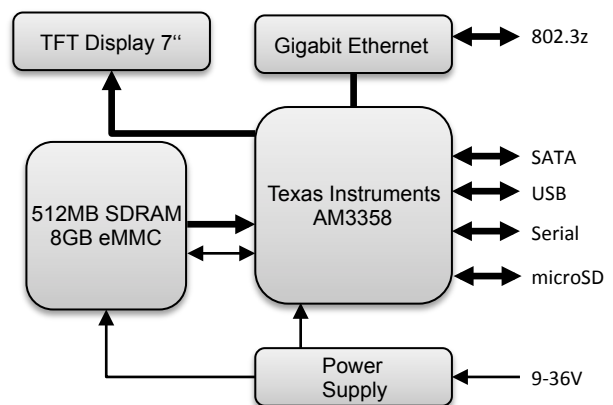
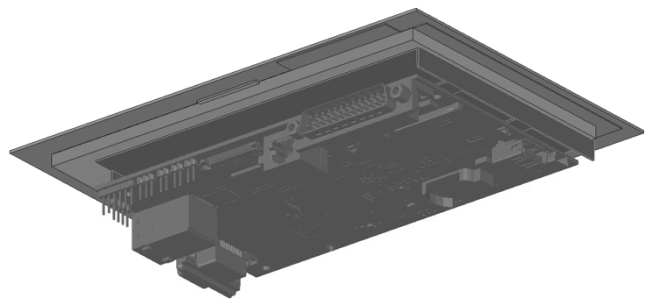
- Size: 7"
- Resolution: 1024x600px
- Brightness: 450cd/m2
- Capacitive Touch with glass cover

Power Supply

- Operating Voltage: +9-36V
- Power dissipation: approx. 5W

Environmental / Mechanical

- Size: approx 180x100x30mm (depends on final design)
- Operating Temp: -20°C to +85°C
- RoHS compliant, CE



APPLICATIONS

- Intelligent displays for surveillance and public safety
- Digital signage
- Cost sensitive applications
- Industrial, medical and automotive applications